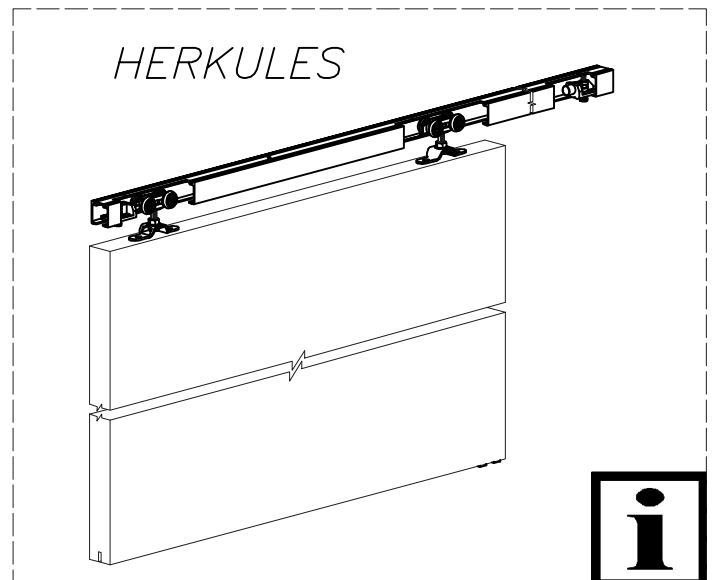
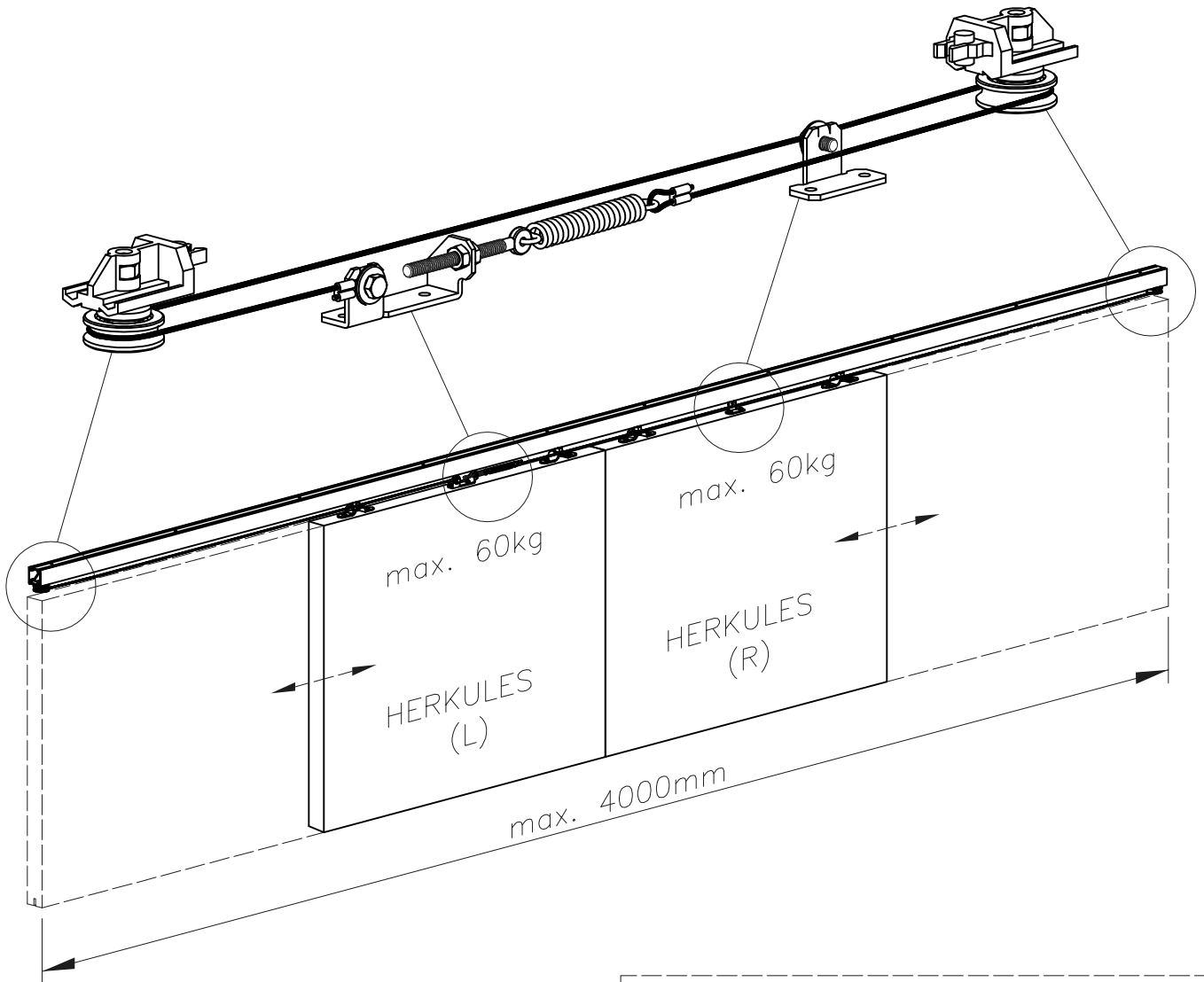
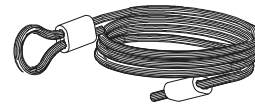
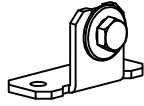


# Symmetric

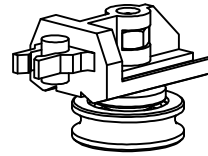




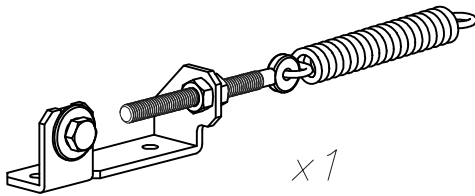
x1



x1



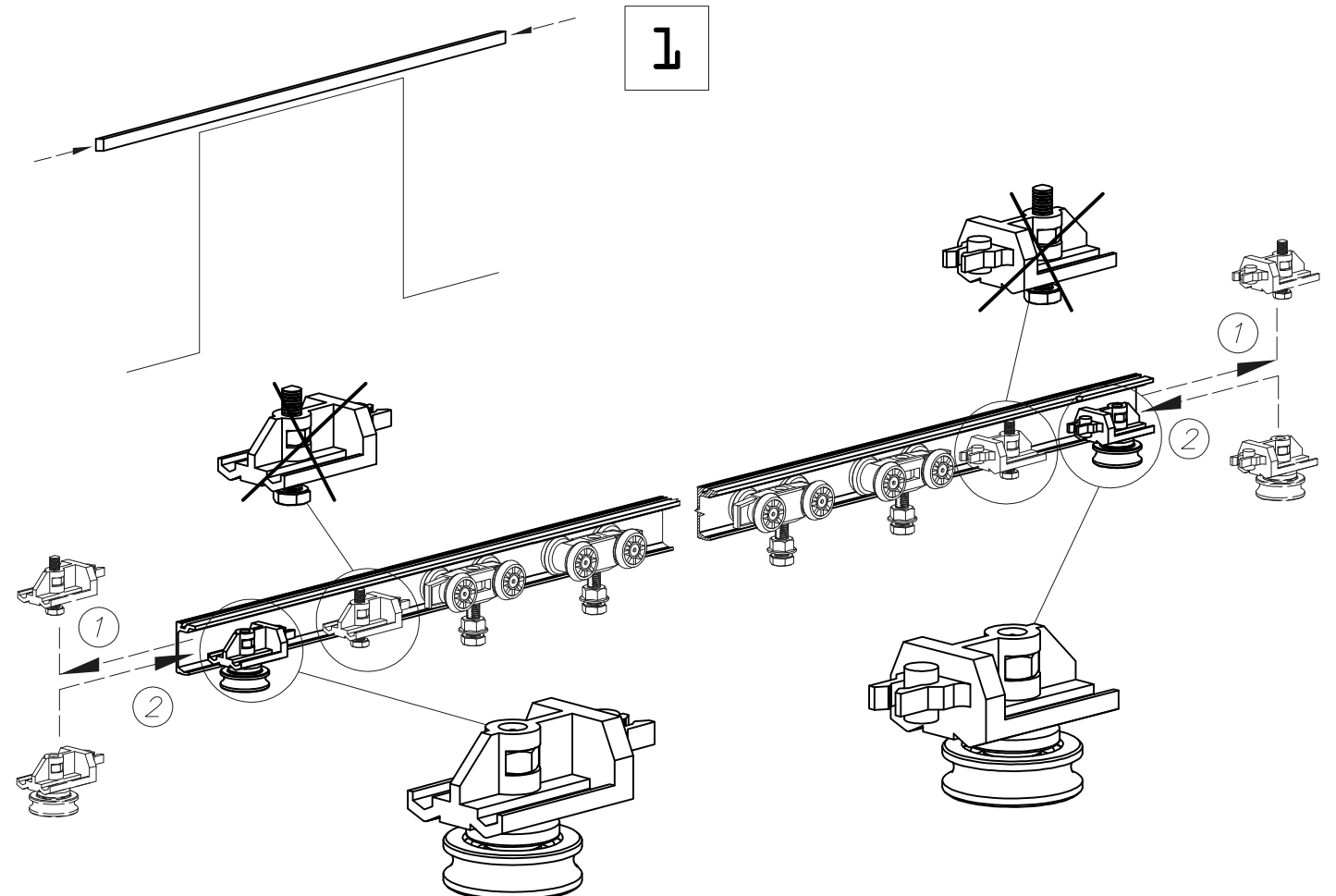
x2



x1

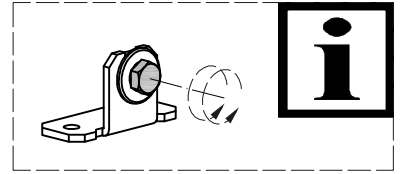


Ø4x16  
x4

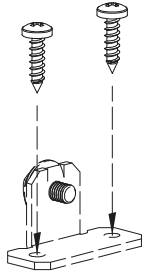




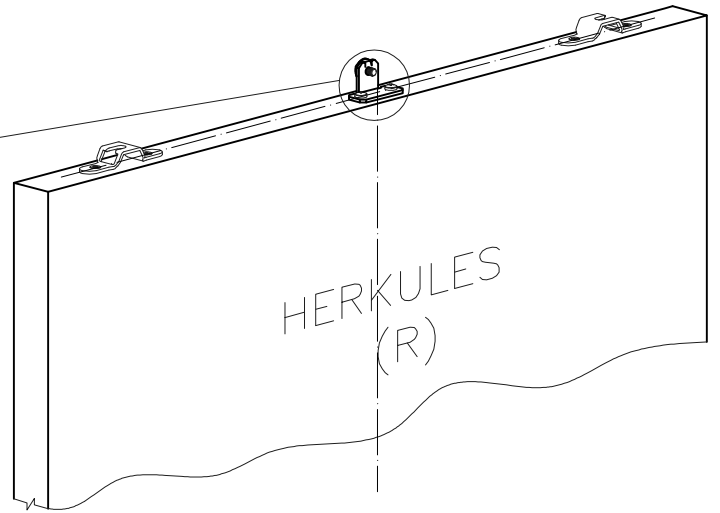
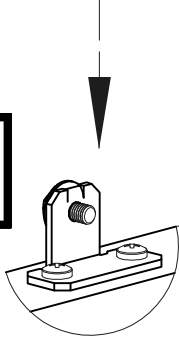
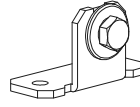
2



2x  $\varnothing 4 \times 16$

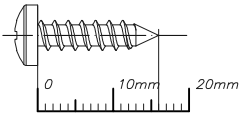


180°

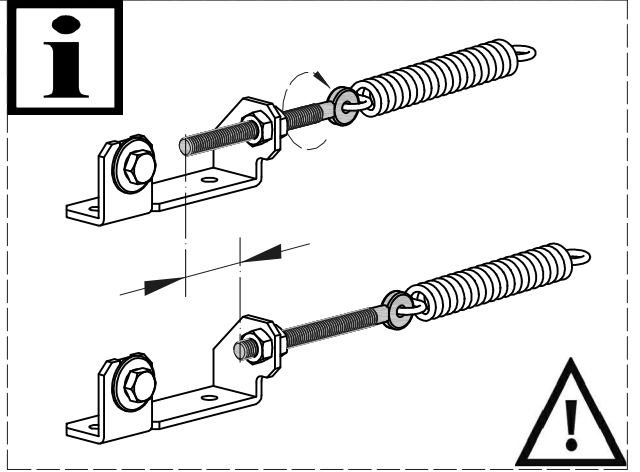


HERKULES (R)

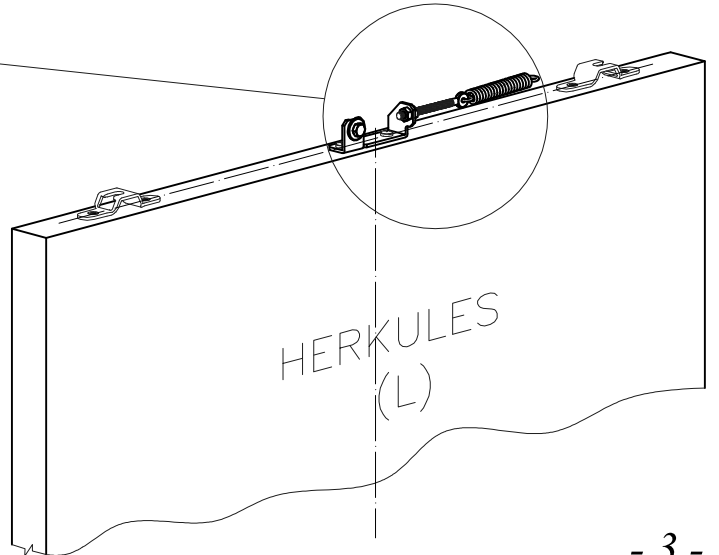
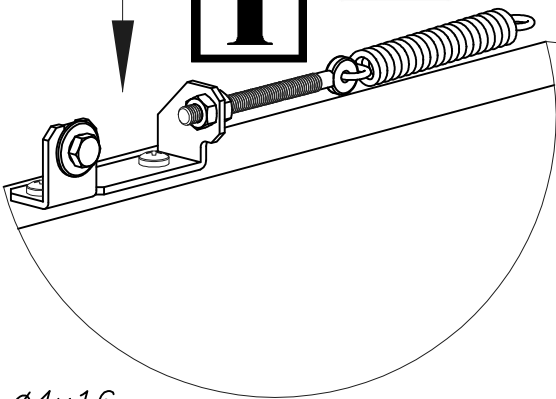
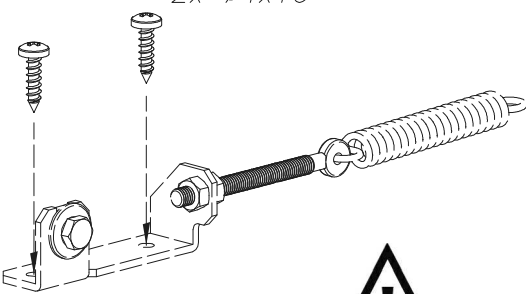
$\varnothing 4 \times 16$



3

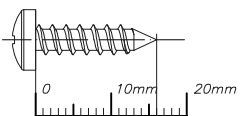


2x  $\varnothing 4 \times 16$

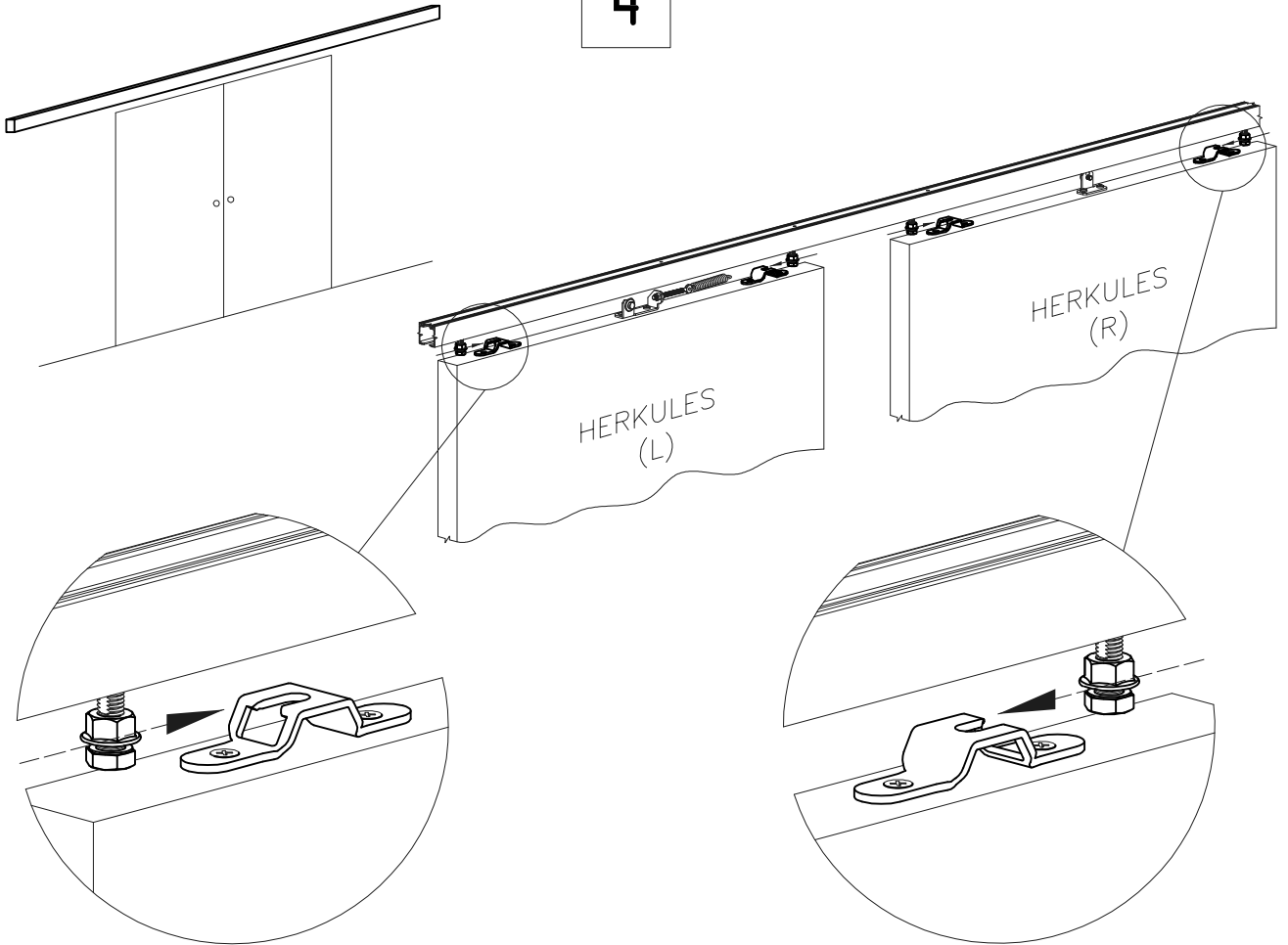


HERKULES (L)

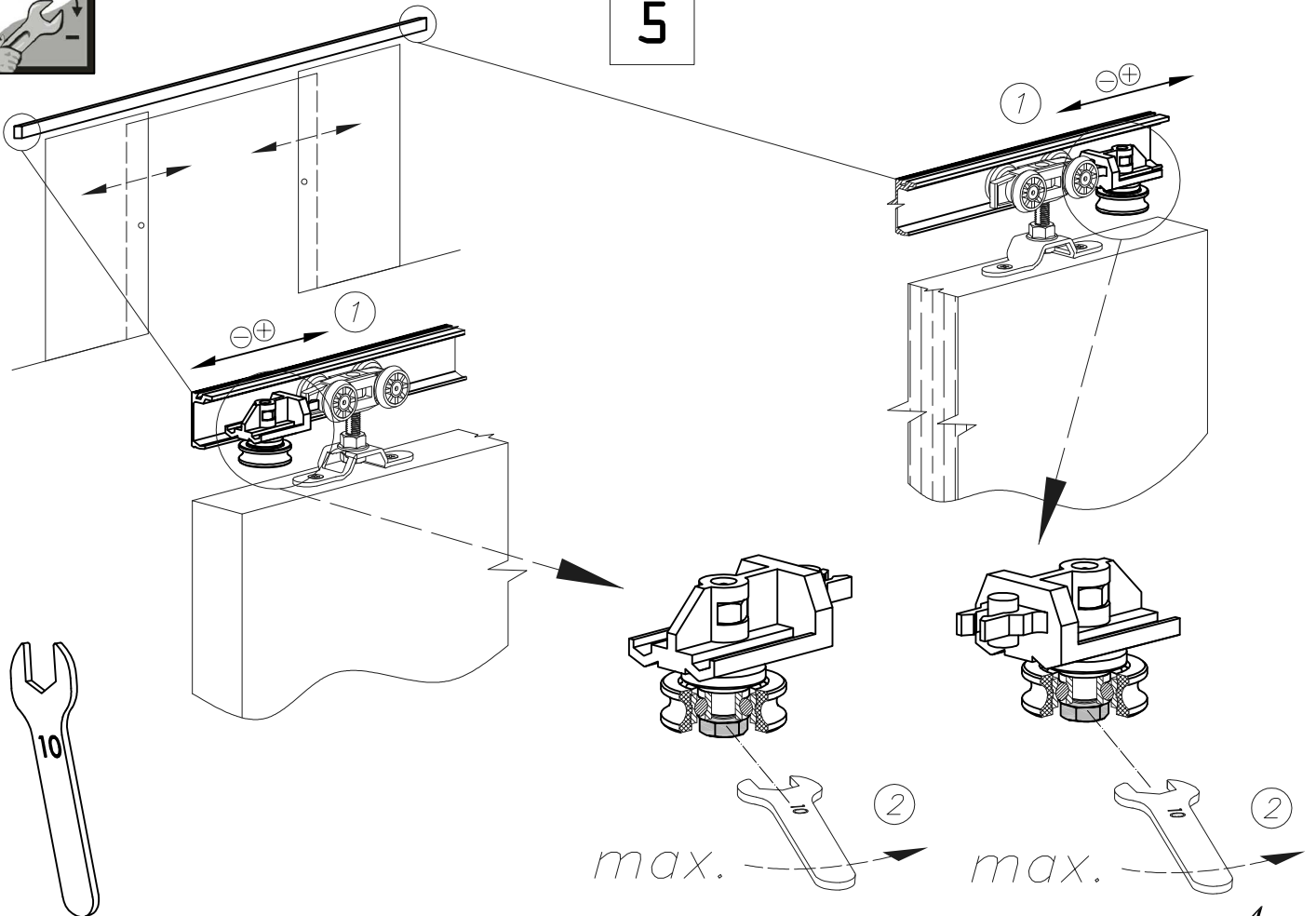
$\varnothing 4 \times 16$



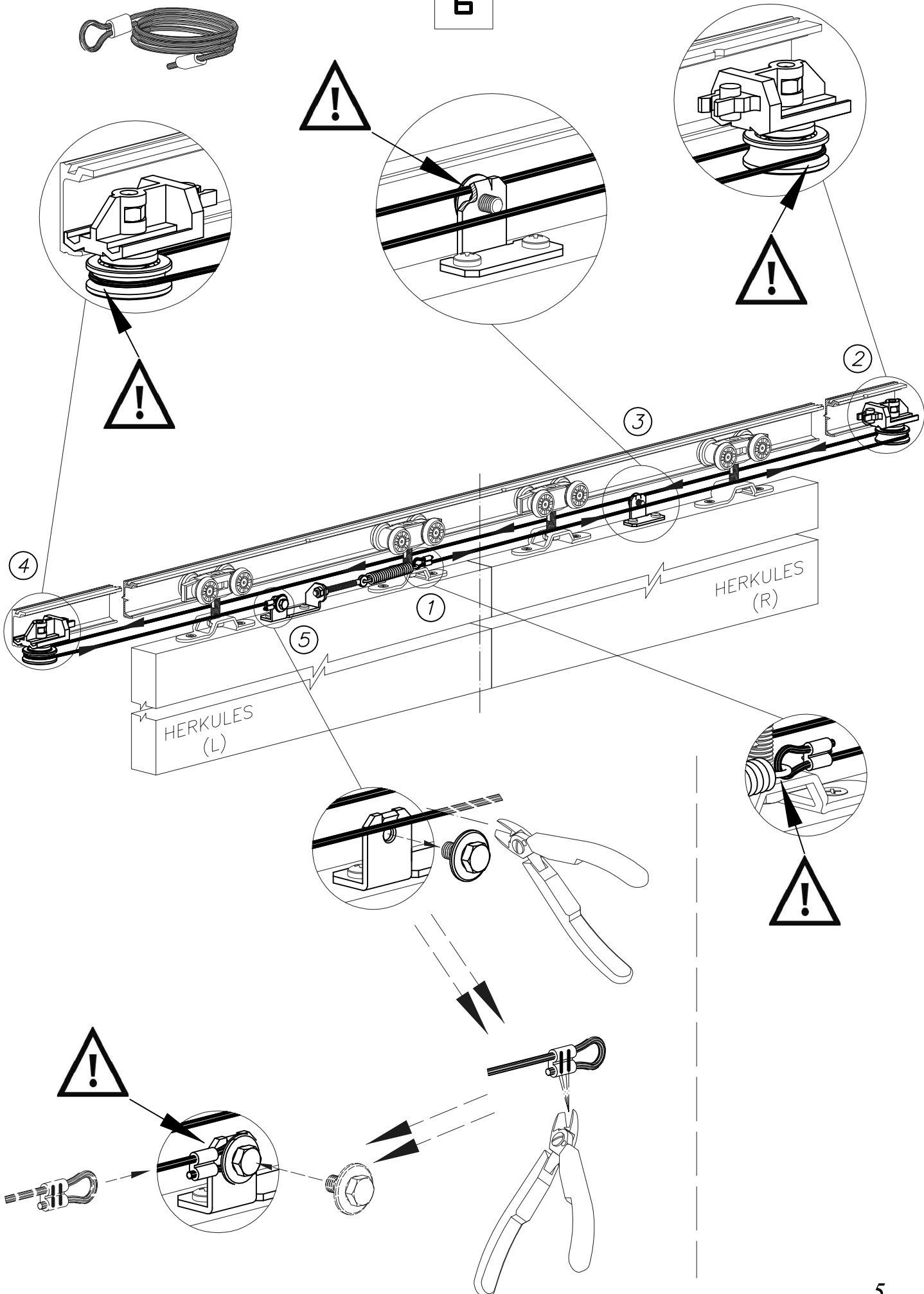
4



5

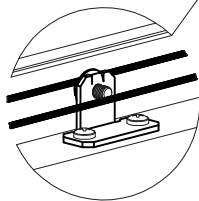
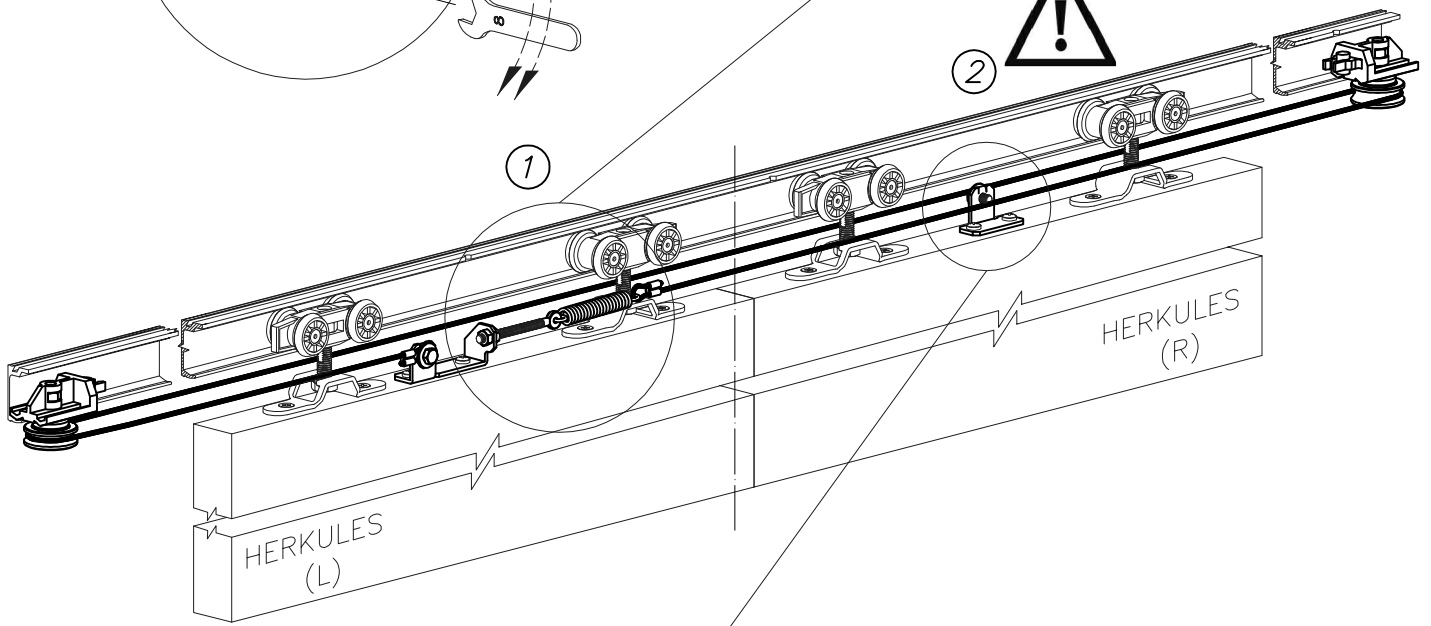
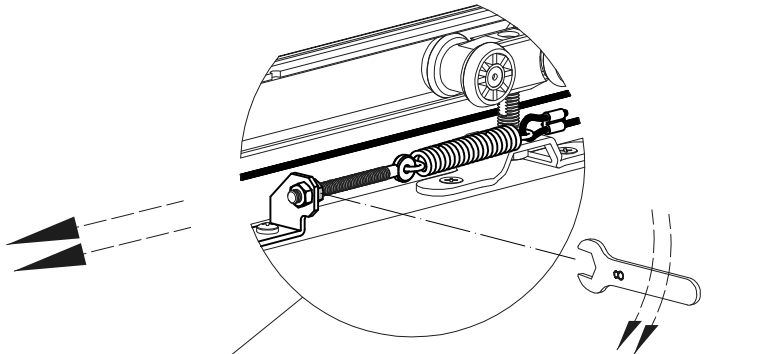
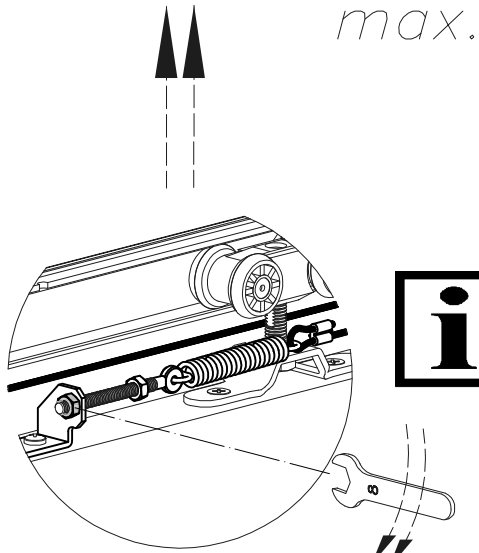
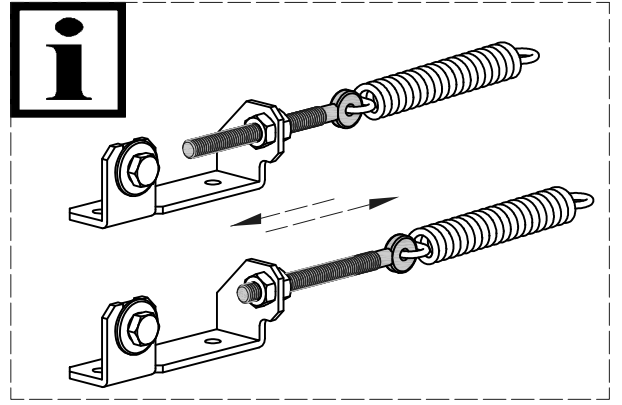
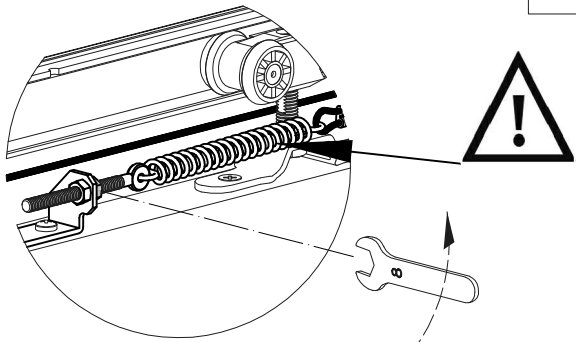


6

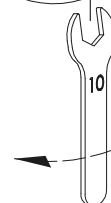
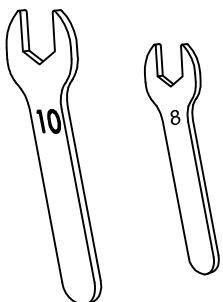
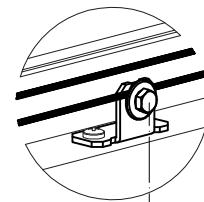




7



180°



max.

# OPTIONS



*INSTR.  
SILENT-STOP  
HERKULES*

