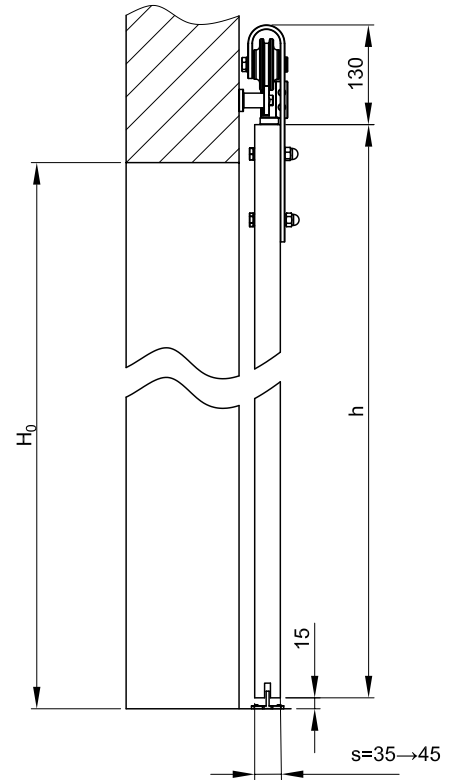
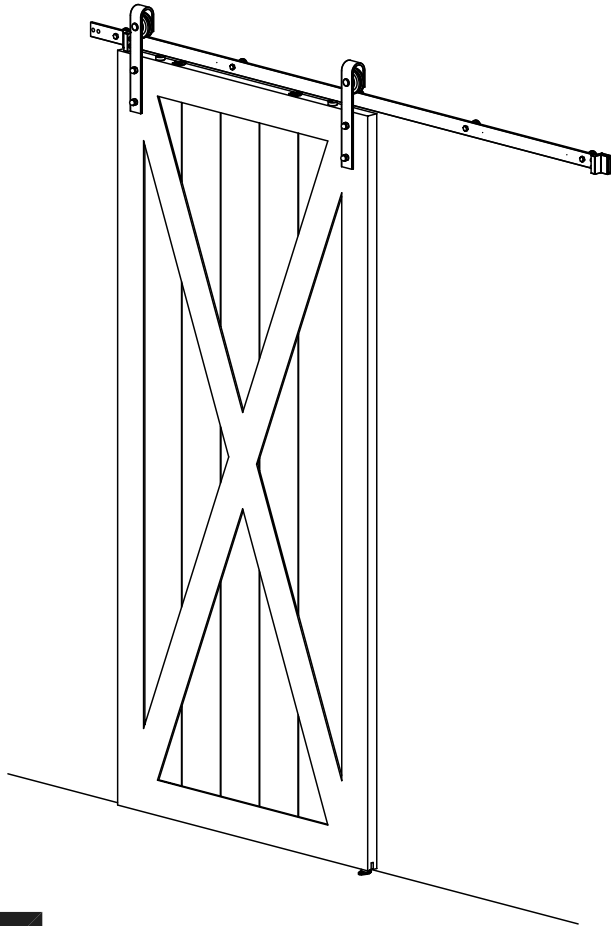
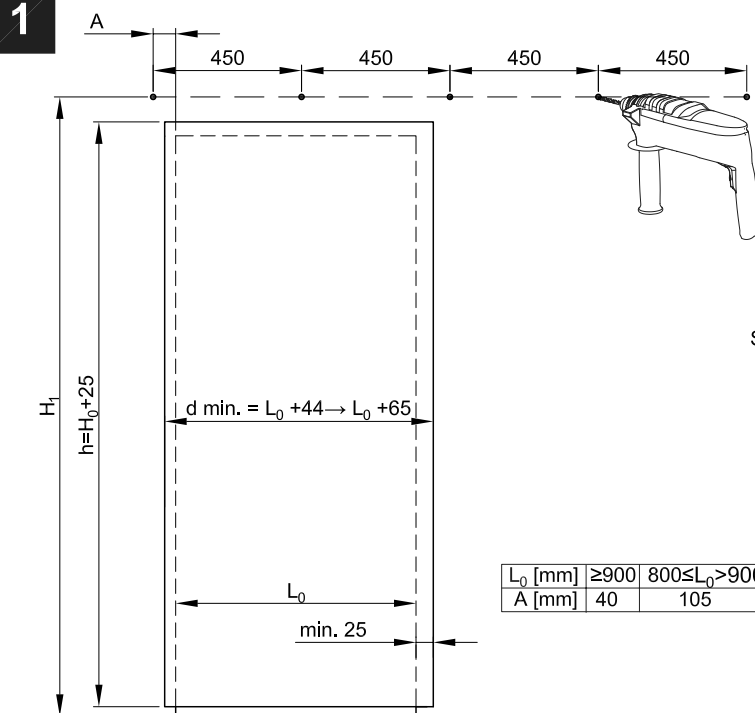




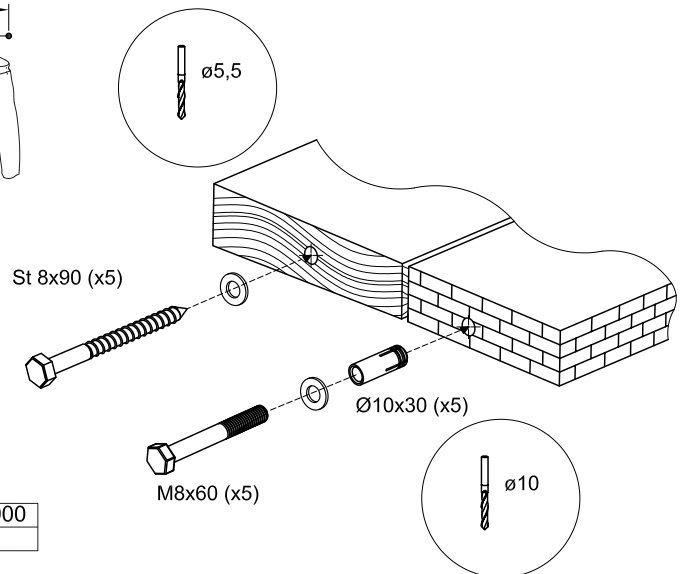
- x1
- x2
- x5
- x2
- x2
- x1
- x4
- x4
- x5
- x5
- x2
- 
- 
- 



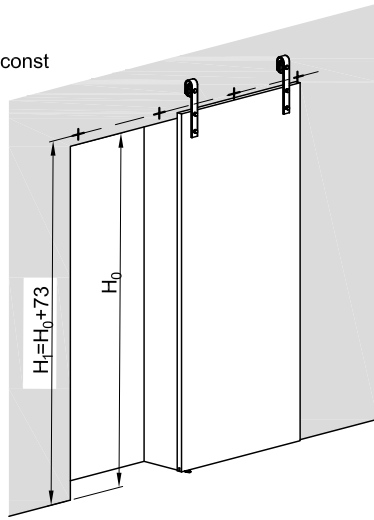
**1**



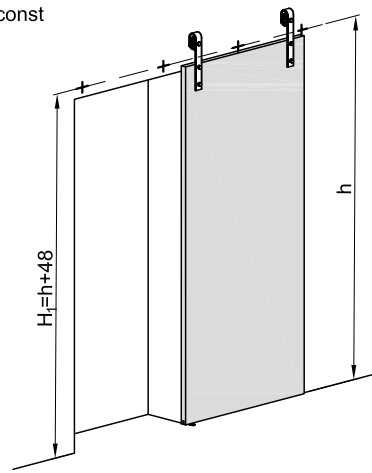
$L_0$ [mm]	$\geq 900$	$800 \leq L_0 < 900$
A [mm]	40	105



1°  $H_0 = \text{const}$

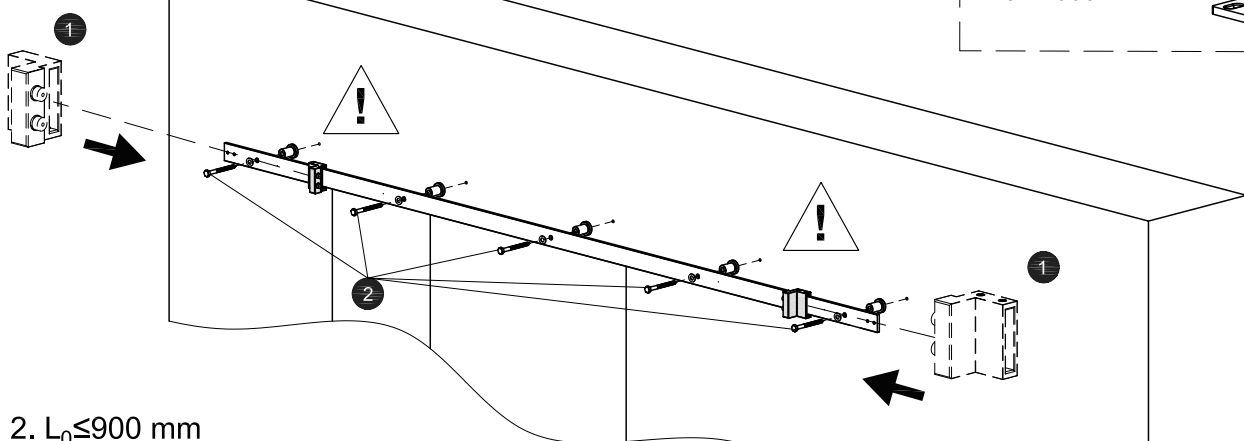


2°  $h = \text{const}$

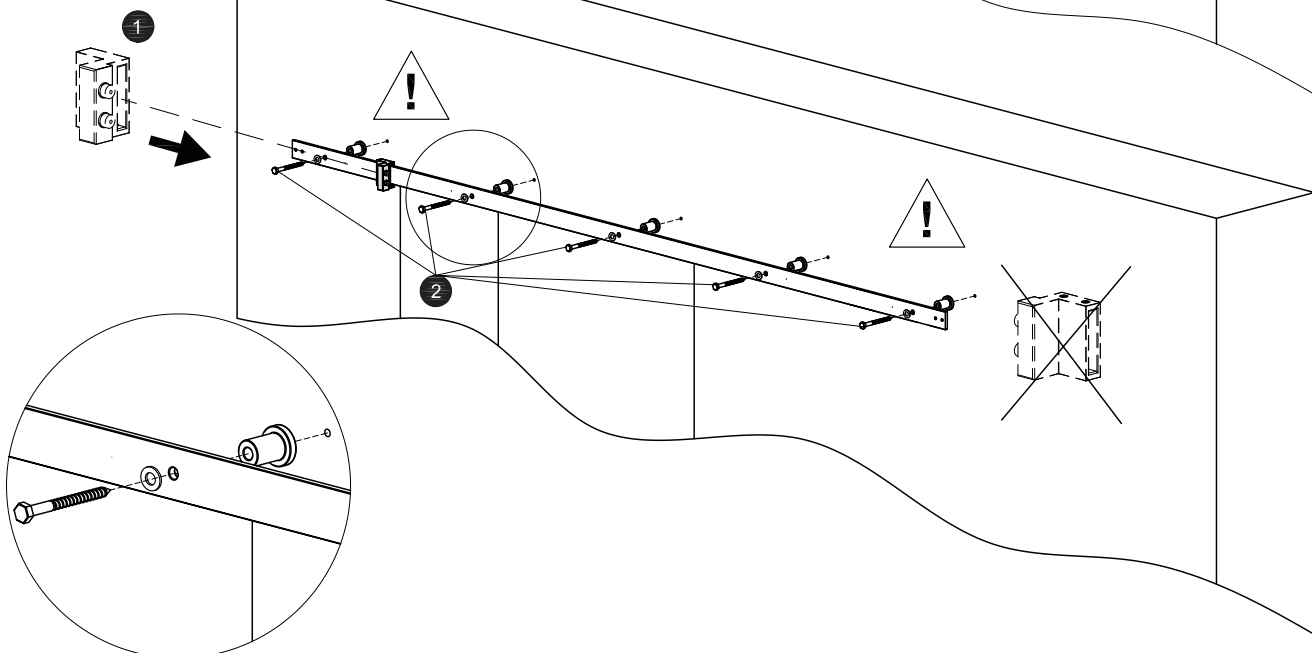


1.  $L_0 \geq 800 \text{ mm}$

2



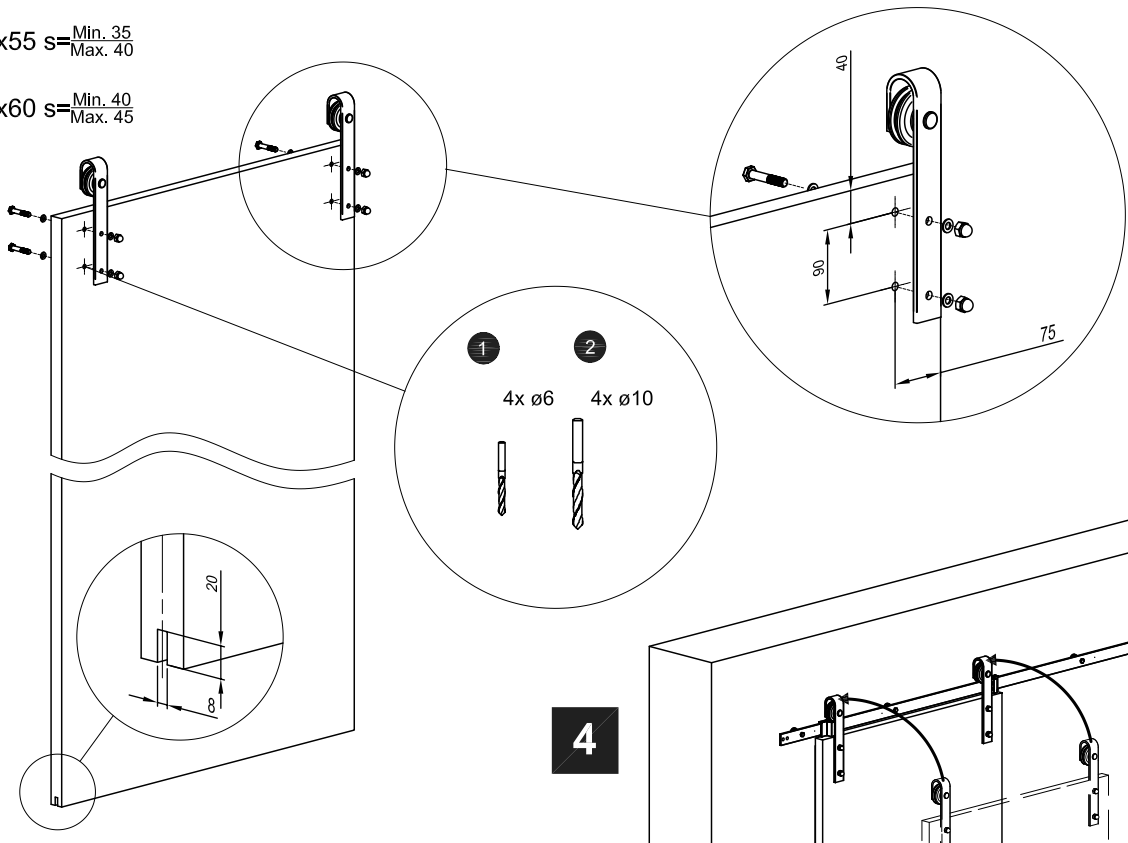
2.  $L_0 \leq 900 \text{ mm}$



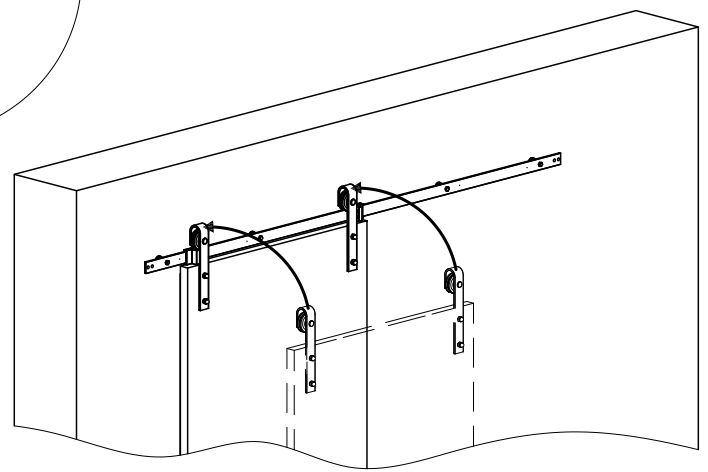
3

M10x55 s=Min. 35  
Max. 40

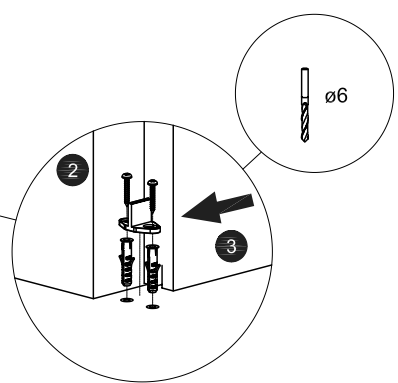
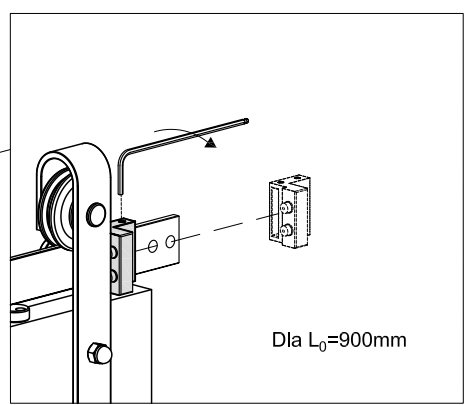
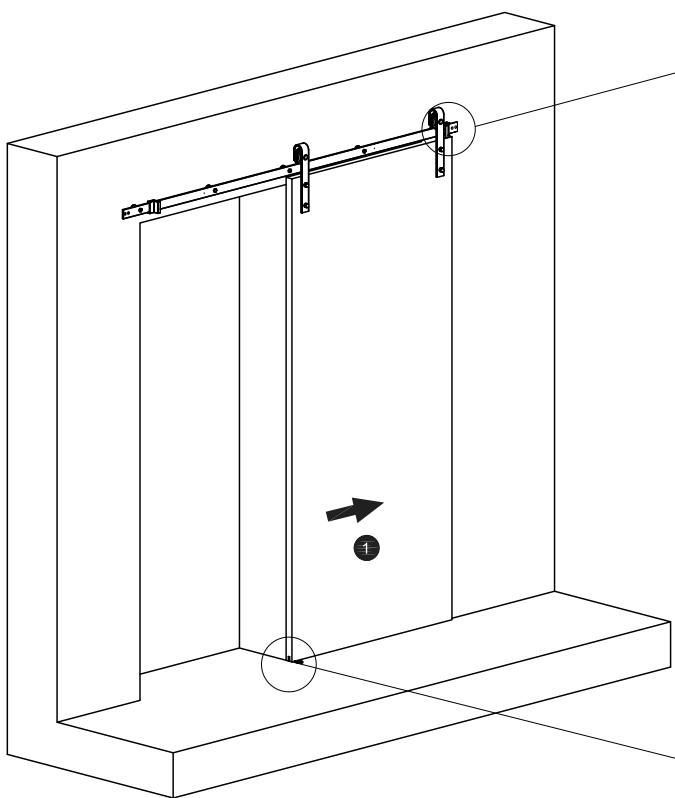
M10x60 s=Min. 40  
Max. 45



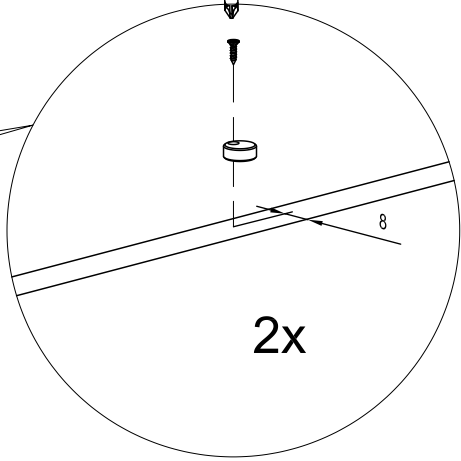
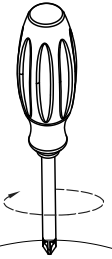
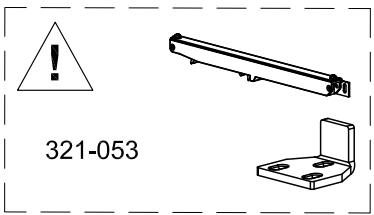
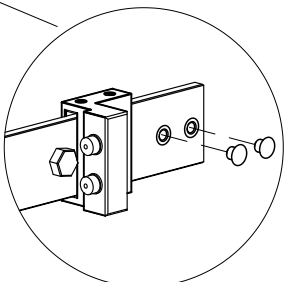
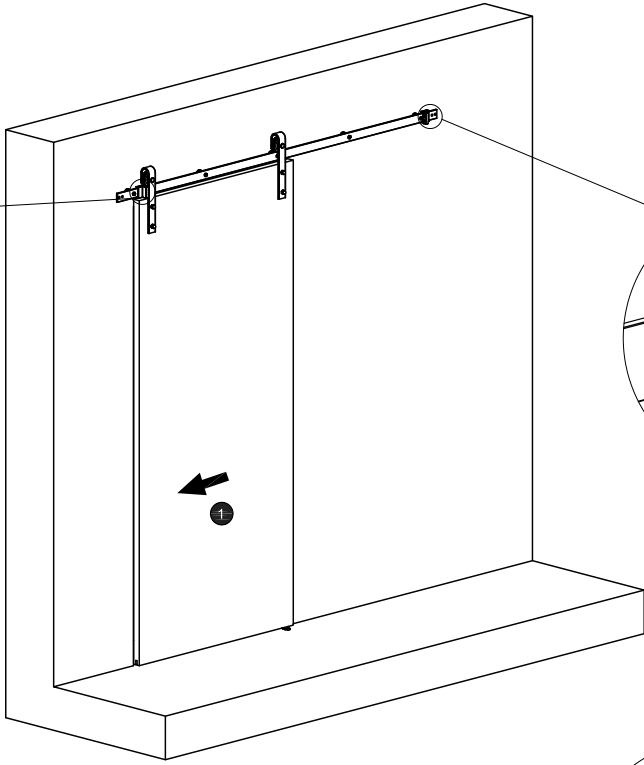
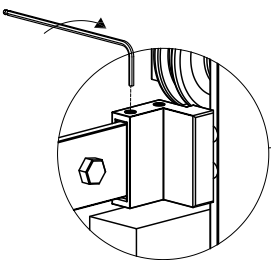
4



5



6



7

