

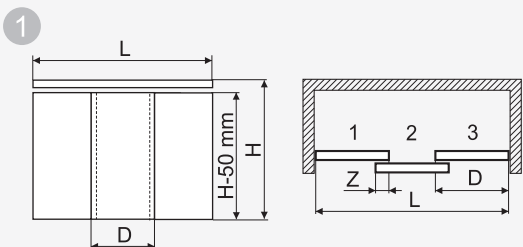


# HORUS

Installation instruction



tel. (+48) 22 818 77 22



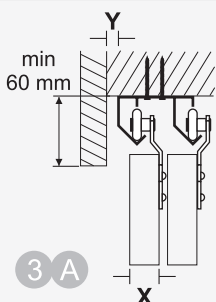
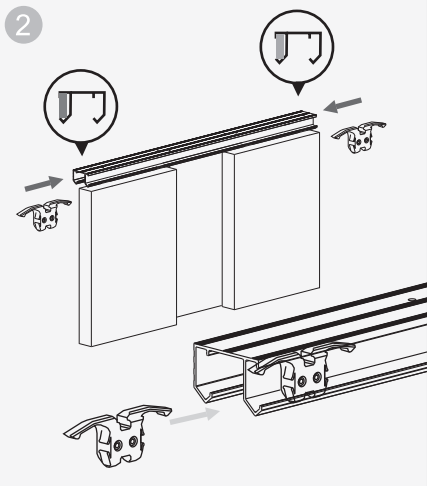
$$\text{Door width } D = \frac{L + (n-1) \cdot z}{n}$$

Door count  $n = 2, 3, 4, \dots$

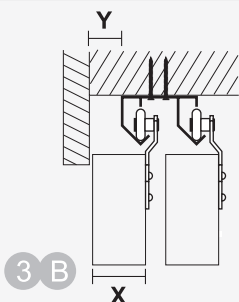
$z$  - 40 mm recommended

$H$  = niche height

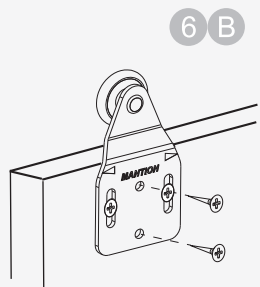
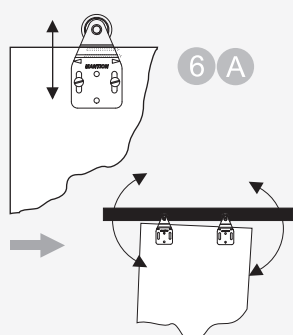
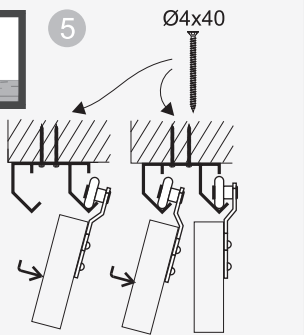
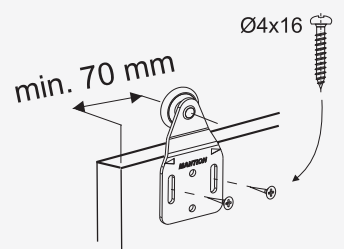
$H-50$  mm - door height



|        |    |    |    |    |
|--------|----|----|----|----|
| X [mm] | 16 | 18 | 19 | 22 |
| Y [mm] | 0  | 1  | 1  | 4  |



|  |    |    |    |    |
|--|----|----|----|----|
|  | 25 | 28 | 32 | 40 |
|  | 15 | 18 | 22 | 30 |



Ø4x16

